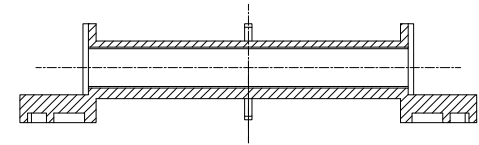
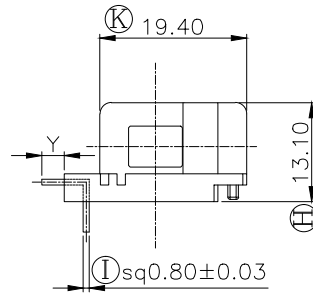
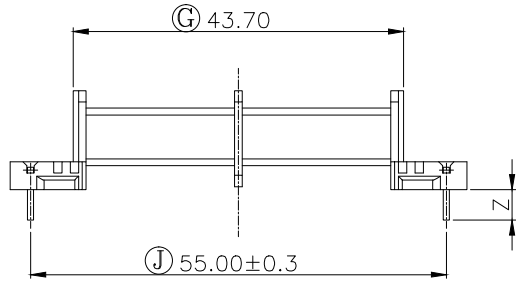
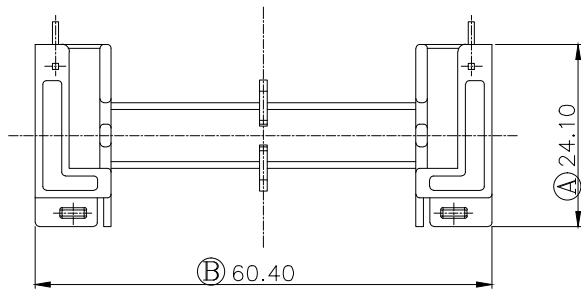
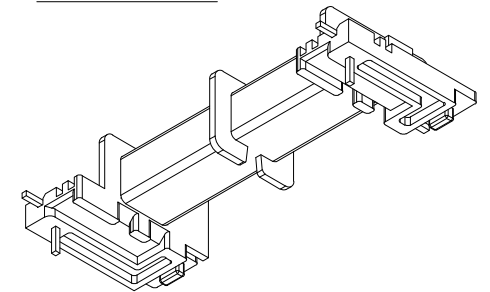
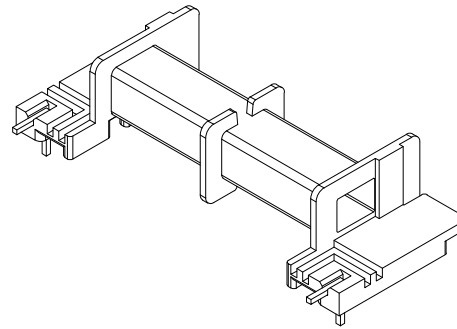


SECTION B-B



SECTION A-A



△								
△								
△								
△								
MARK	REVISION NOTE				DATE	DRAWN	CHECKED	APPROVED
DRAWN	CHECKED	APPROVED	MATERIAL : L.C.P	UL REC. : UL94V-0	THIRD ANGLE PROJ.	SCALE : 1/1		
Sang Han, Kim	Hyoung Seok, Lee	Chul, Park	Y, Z : PIN LENGTH (According to customer's request)	DATE : 2010.07.22.	TOLERANCE : ±0.2 (Unless otherwise specified)	UNIT : m/m		
주식회사 대흥보빈 DAE HEUNG BOBBIN CO., LTD			TITLE UU 27*58 (2P) "H" (S)		DWG NO DH-100823-1014-15			